



Clenergy Rooftop Products Presentation

By Clenergy

Confidential



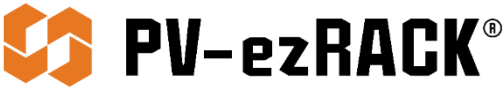
A Cleenergy Technologies Company

- **SolarRoof Pro 2.0**
- **Ascent 1.1**
- **SolarBalcony MAC**
- **ezDesign+**

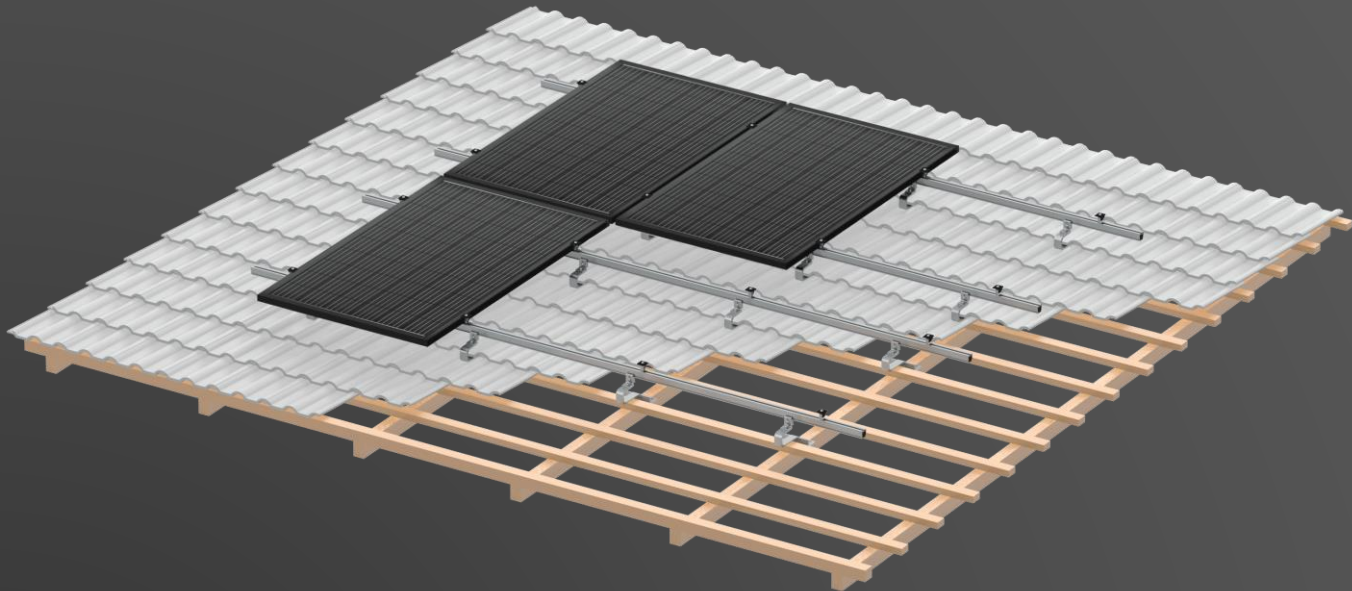


SolarRoof Pro 2.0

Quick and Flexible Roof Mounting System



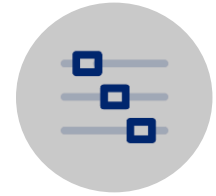
Last Updated
2023.11



Main Benefits



One Tool Installation



High Flexibility



High Quality

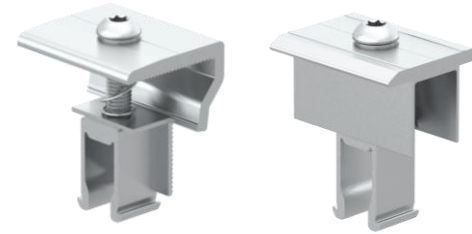


Versatile Application

Mounting Solution Overview



Rail



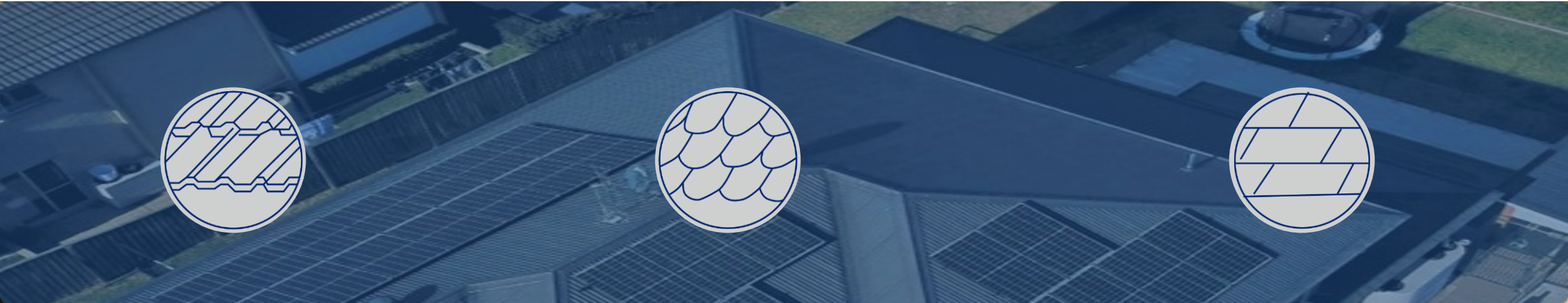
Clamp



Interface

Versatile Application

SRP 2.0 system is suitable for many types of pitched roofs with Clenergy' s innovative interfaces family.



Pantiles

Beaver Tiles

Plain Tiles

**Trapezoidal
Sheet Metal**

**Standing
seam roof**



Robust and One Tool Installation

Aluminium rail channel, Click & lock connection methodology no assembly required with small locking bolts or T-bolts.



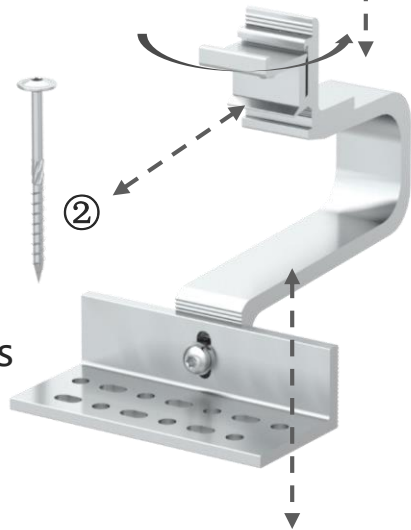
Patented Hook, Four Way Adjustable

Easy to adjust the rail leveling

③

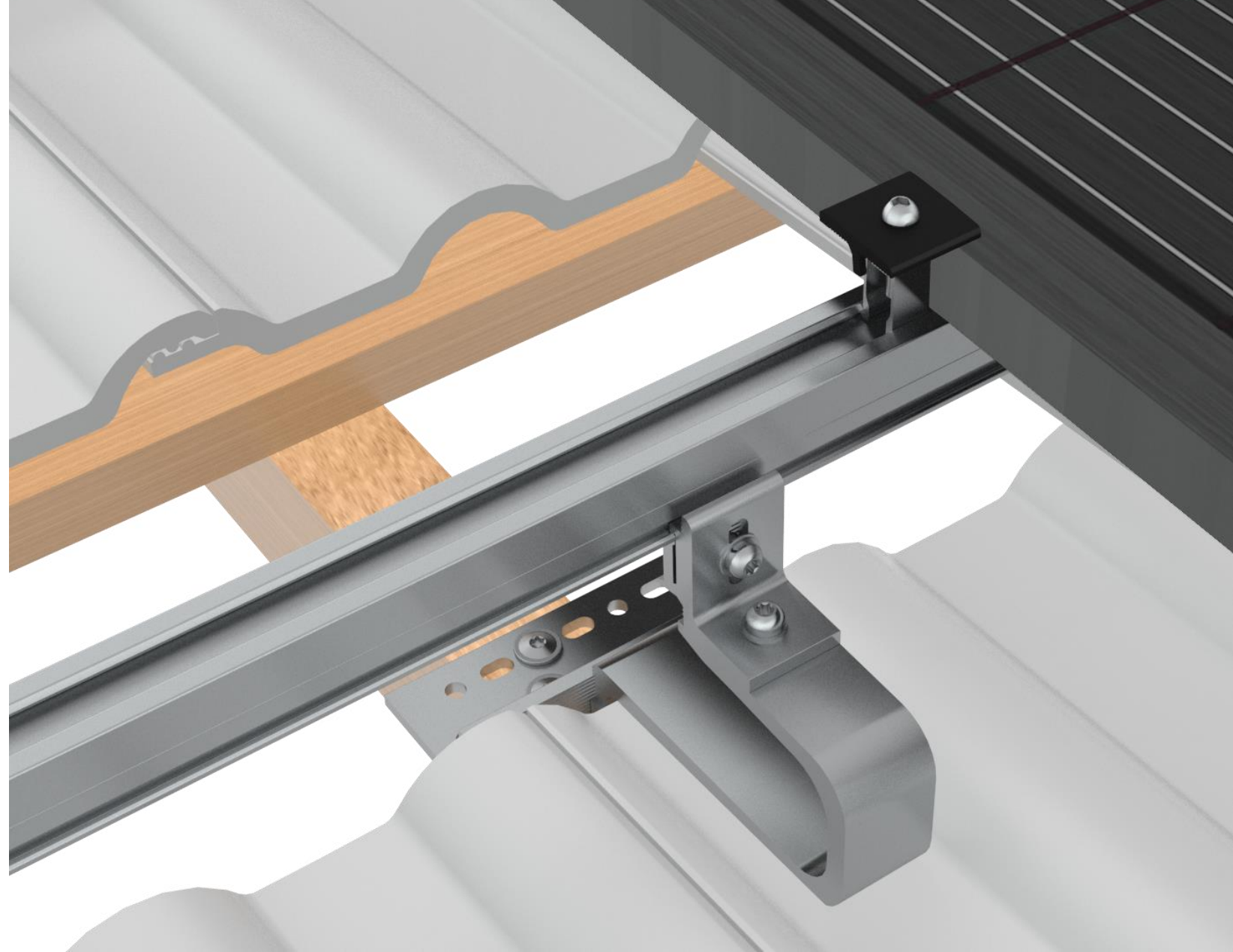
Compatible with Portrait and
landscape layout ④

②



Screw positions
optimized for
smaller rafter
cross sectional
areas.

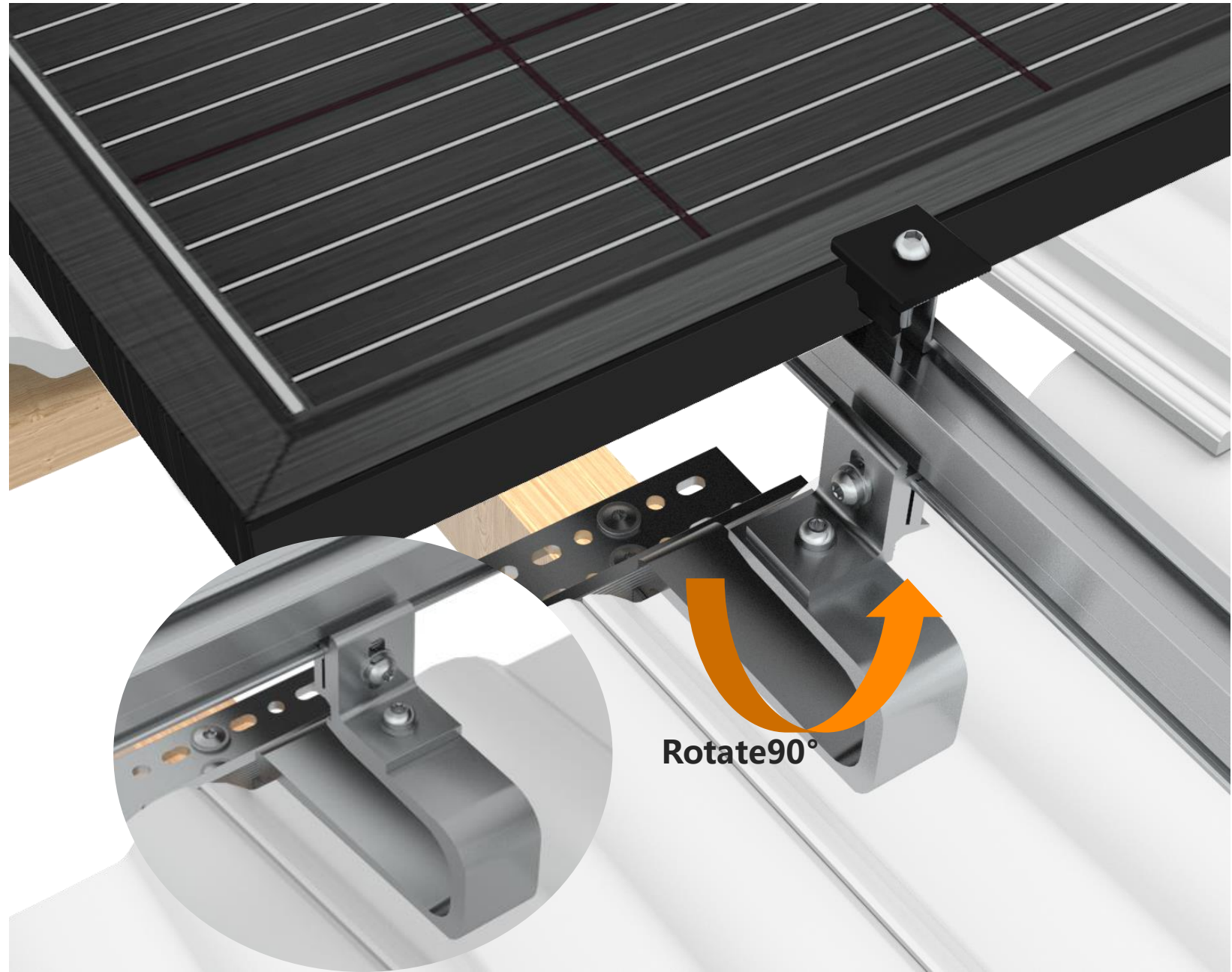
① Tile height adjust range 34-56mm



Landscape and Portrait Layout on Residential Roof

Same SKU in Landscape and Portrait Layout.

No need for cross rail systems for landscape configurations.

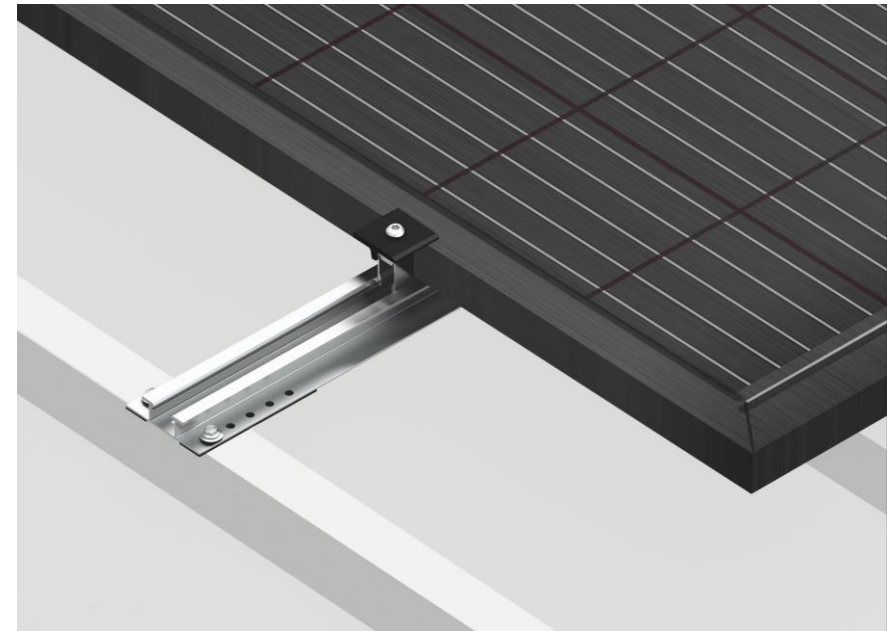
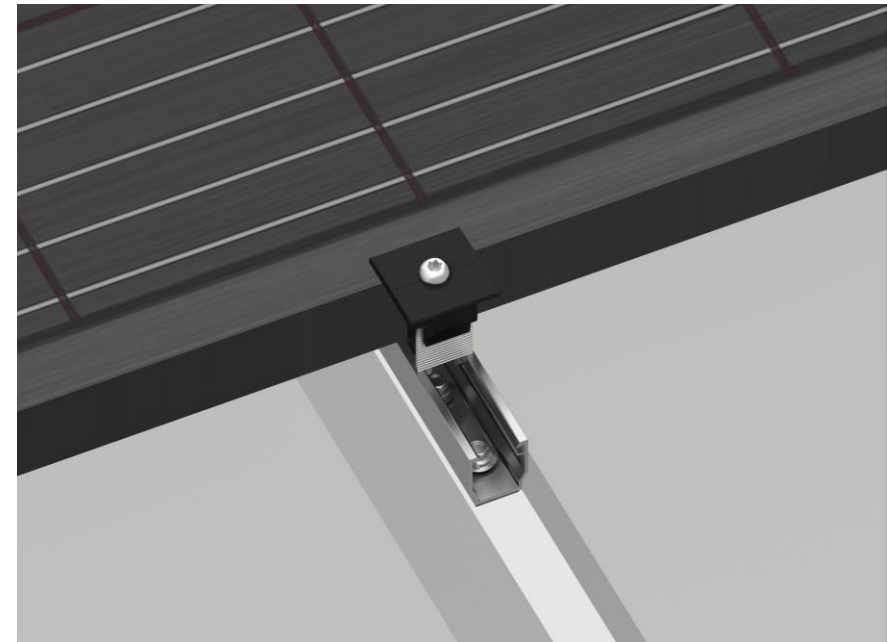


Cost-effective Trapezoidal Metal Roof Solution

Rail and Rail-less solution

Landscape and Portrait Layout

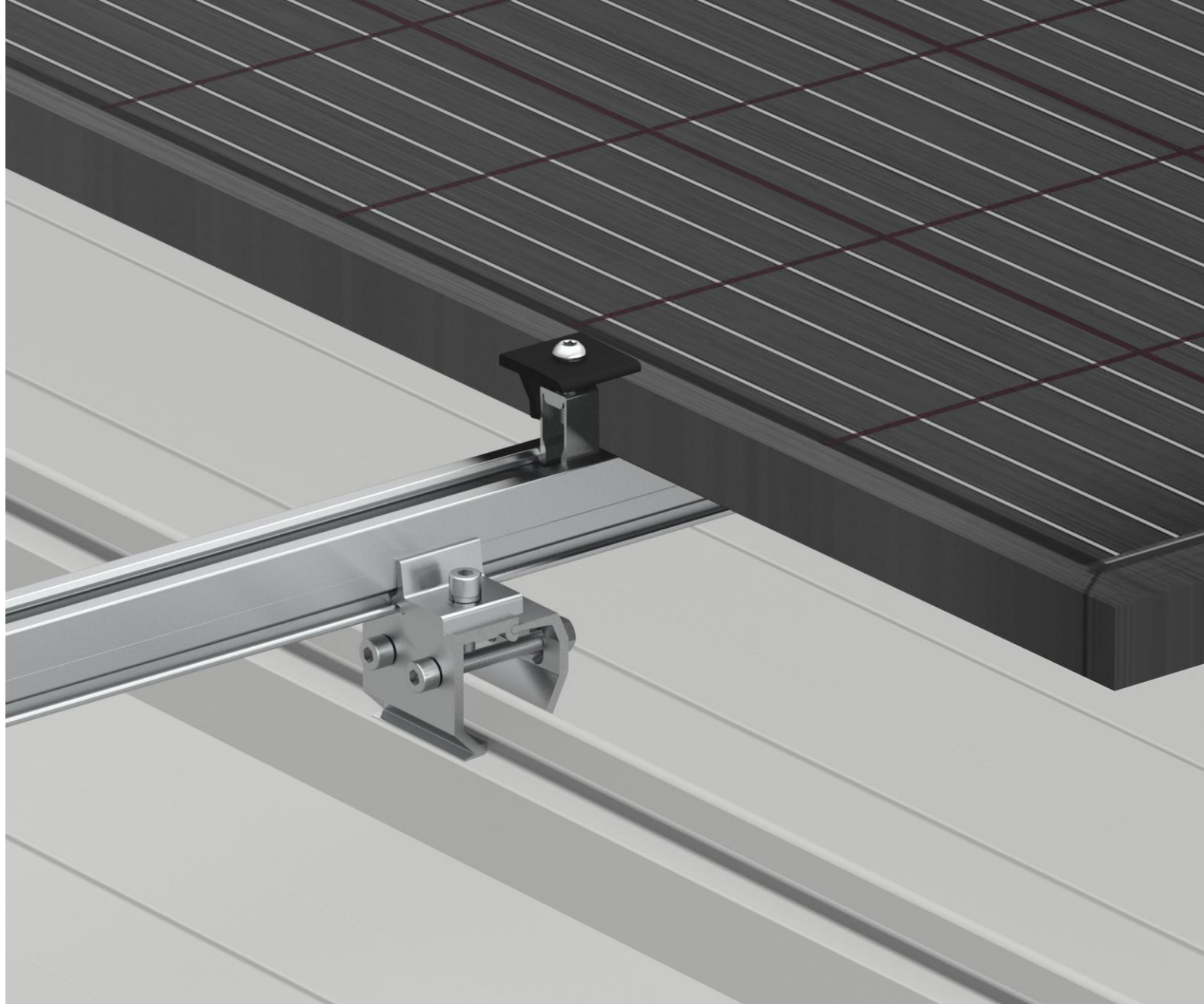
Tested with aluminium and steel roof sheets
from 0.5mm-1.1mm sheet thickness



Wide Application Range on Klip-lok Metal Roof

Landscape and Portrait Layout

Fully available for Standing Seam
roofs Compatibility



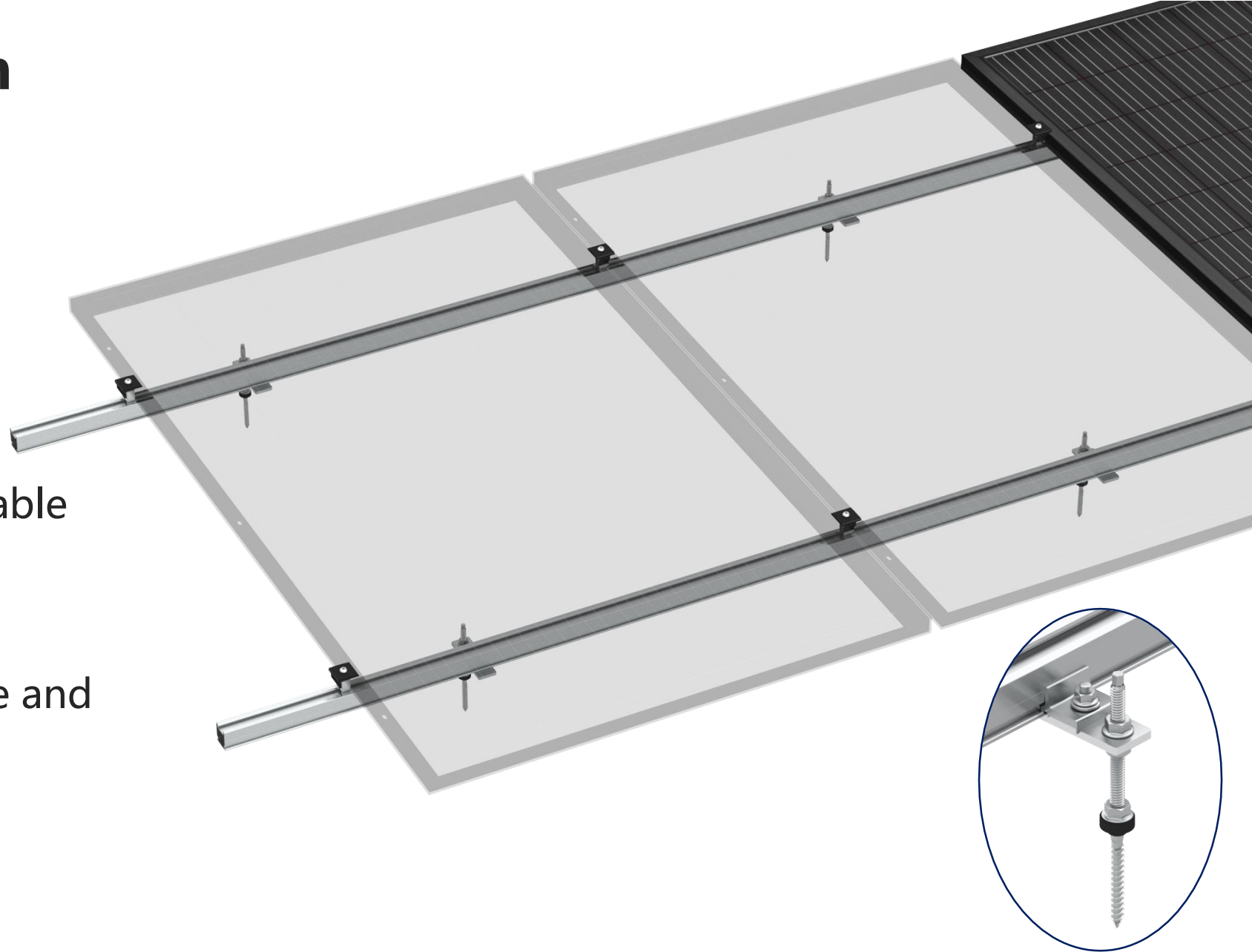
Hanger Bolt Solution

Part number: ER-HB-10/200
ER-HB-12/300

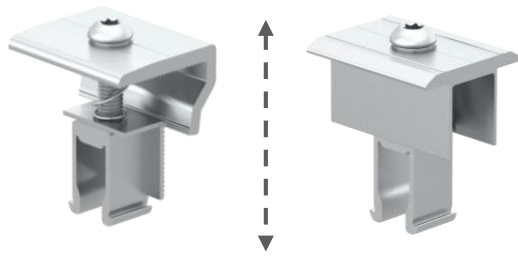
Other sizes hanger bolt available

Multiple roof type scenario

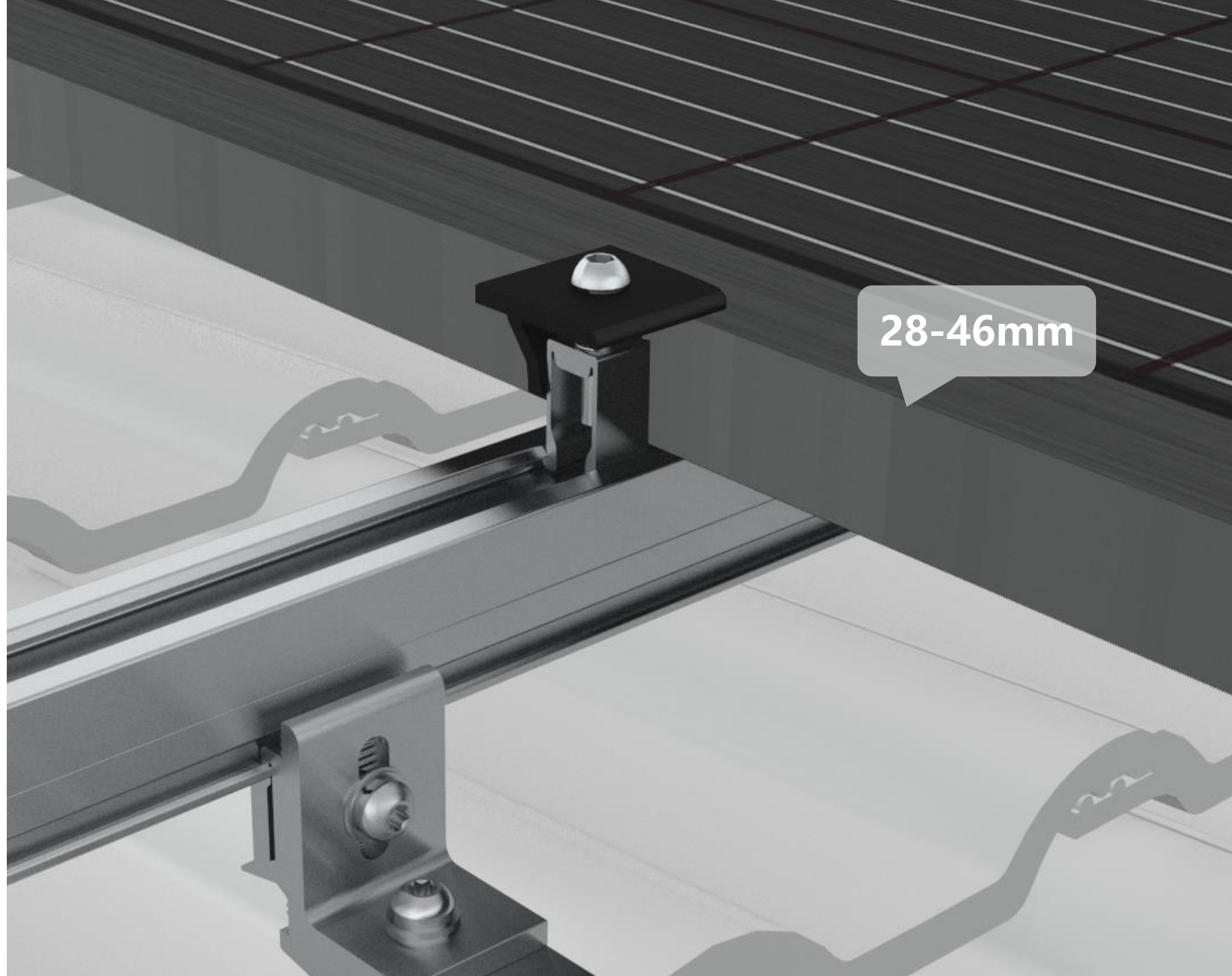
Same structure for Landscape and
Portrait Layout



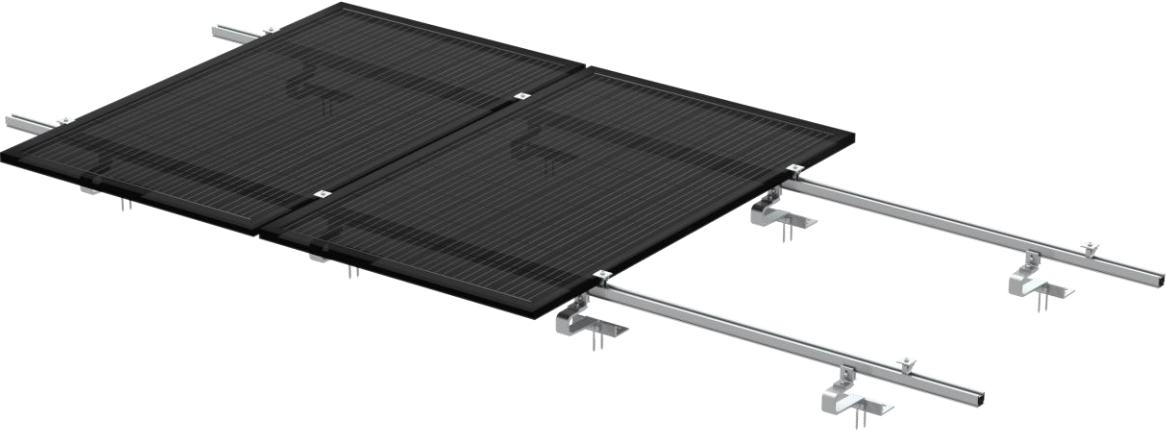
Ultra-fast Install with Click-in Clamps



Flexible adjust range
Silver and black color available



Technical Details



SolarRoof Pro 2.0

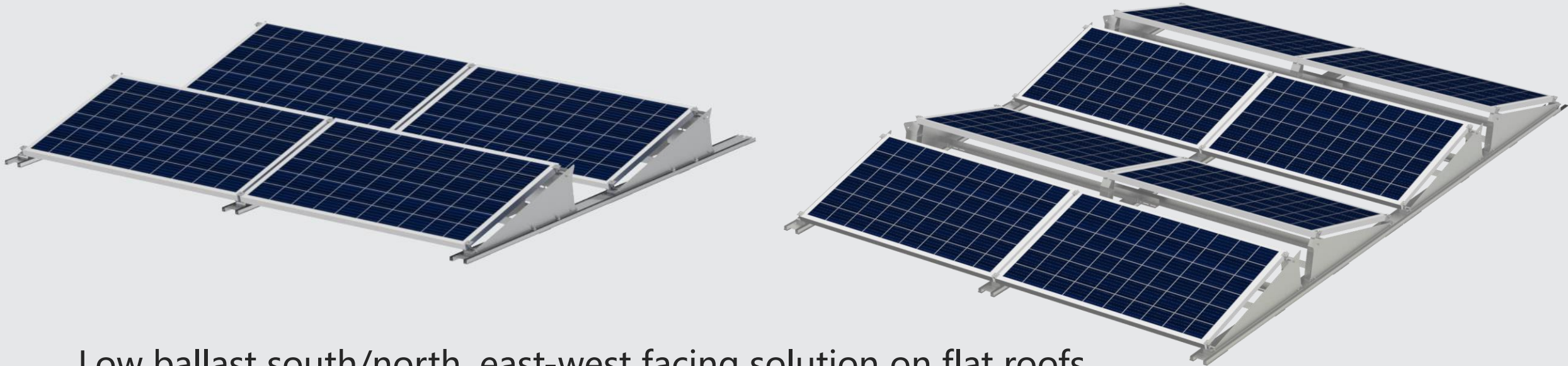
Module Orientation	Landscape or Portrait
PV Module	Framed
Roof Type	Tin and Tile Roof
Tilt Angle	0°, parallel to roof surface
Material	Main Structure: AL6005-T5 Metal Roof Interface: AL6005-T5 Roof Hook: AL6005-T5 and SUS 304 Fasteners: SUS 304
Certification	TUV, CE
Warranty	12 years



Ascent 1.1

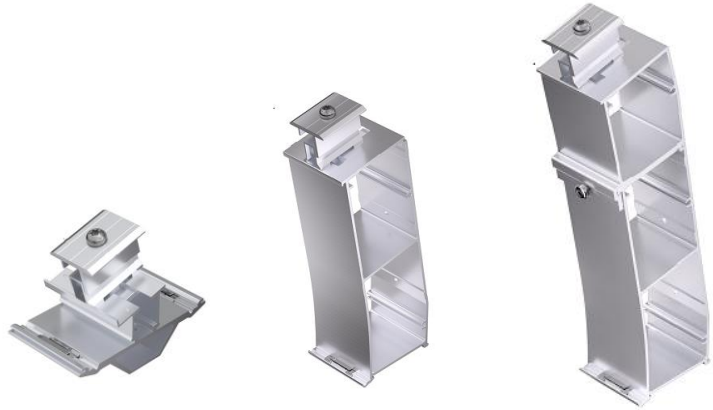
Ballast/PV mounting solution on flat roofs

Ascent 1.1

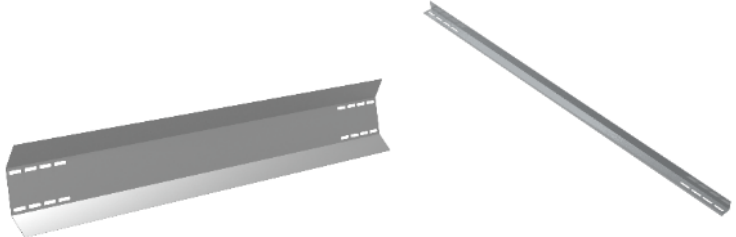


Low ballast south/north, east-west facing solution on flat roofs.

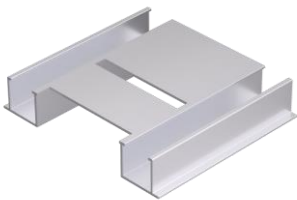
Mounting Solution Overview



Leg



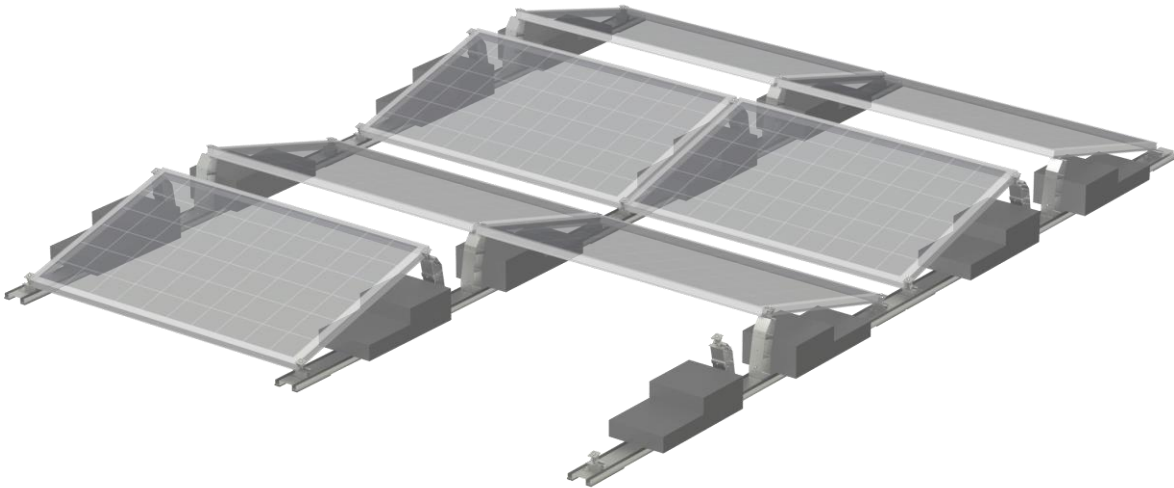
Accessories



Base



Two Way to Hold Ballast



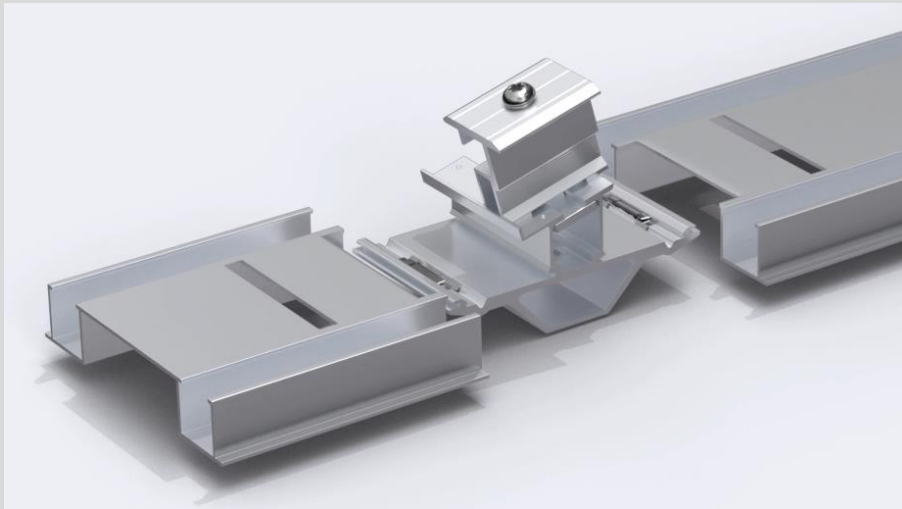
On Ballast Bar

On Base

Main Benefits

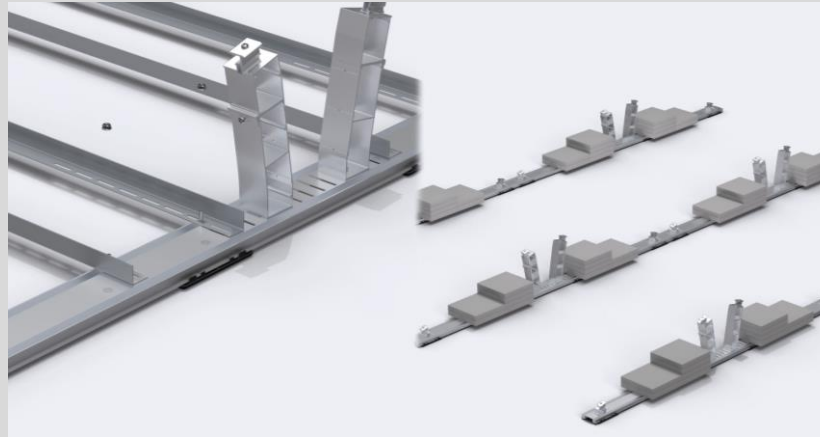
● Easy Install

Click connections
Panel thickness: 28-40mm
Panel width up to 1150mm



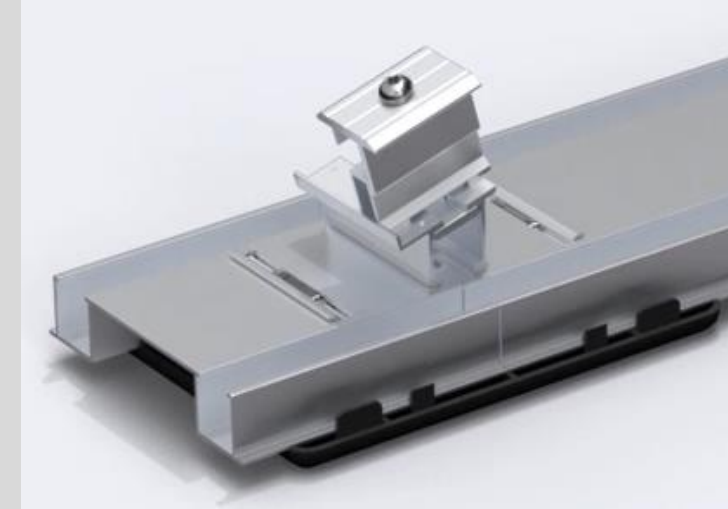
● Less Labor

Less ballast concrete
Less heavy brick carrying work



● Roof Friendly

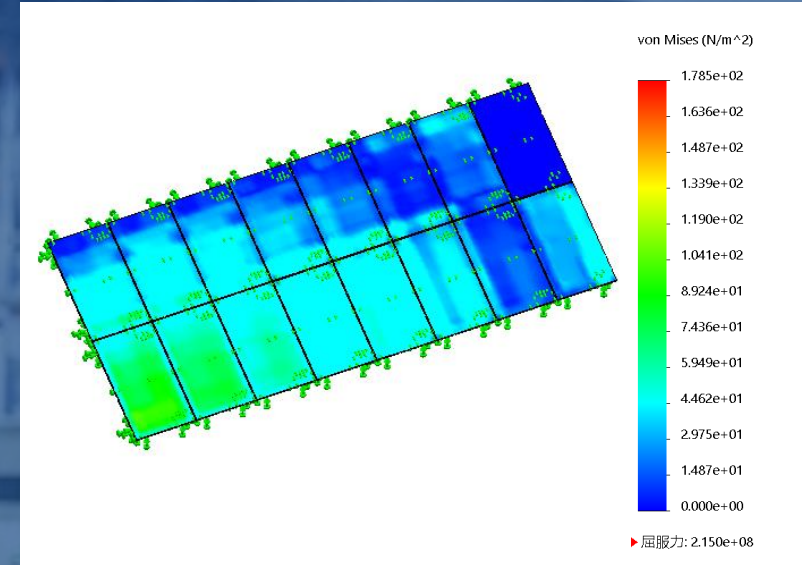
Concrete/Foil/PVC/Bitumen



Technical Details

Ascent 1.1	
Application	Flat roof (Concrete/Foil/PVC/Bitumen)
Roof Slope	Up to 5°
Setting Angle	10° / 15°
Module Orientation	South/North, east-west facing: Landscape
PV Module	Framed
Module Size	Width up to 1150mm
Material	Main Components: AL6005-T5 Wind Deflector/Ballast bar: MAC Steel Fasteners: SUS 304 Plate: Polypropylene (PP) and EPDM
Certification	TUV CE Wind Tunnel Test (I.F.I. Institute)
Warranty	12 years

Quality Guaranty



TÜV-Certified

WARRANTY

**Mechanics
Calculation & Analysis**

SolarBalcony MAC System Overview



Installed on the Balcony



Installed on the Ground

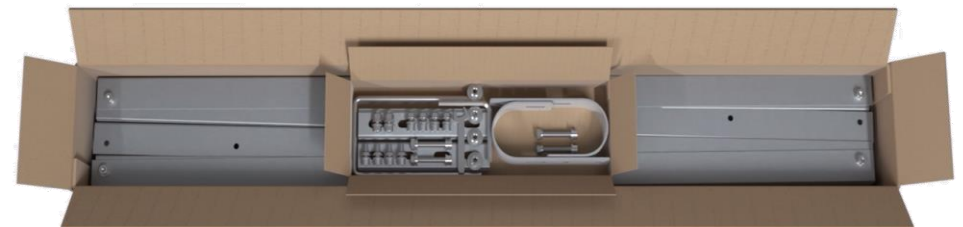


Installed on the Wall



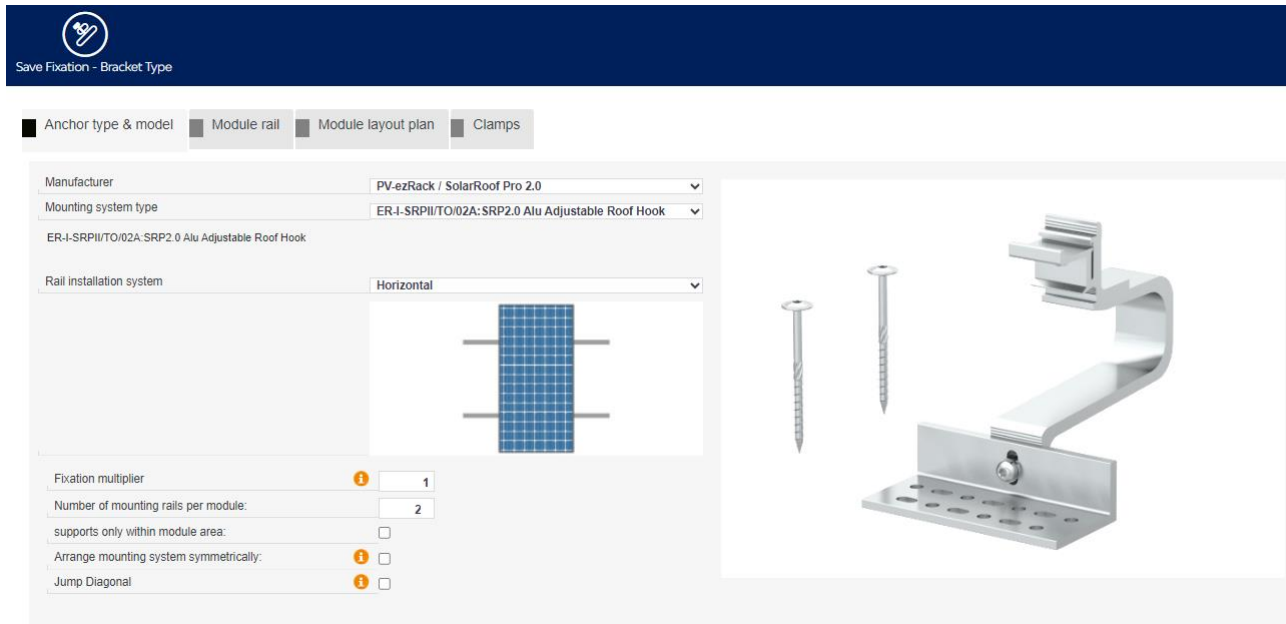
Technical Specifications

Application	Balcony with top railing, top railing diameter: 50-70mm; Garden and Wall; (Compatible with Microinverter);
Tilt Angle	On the Balcony: 60, 65, 70, 75 degrees On the Ground: 75 / 30 degrees On the Wall: 60 degrees
Module Orientation	Landscape
Module Type	Framed, width up to 1134mm
Packaging	1 units per carton
Weight	10.69 Kg
Material	Main Structure: MAC Steel Fasteners: SUS 304



ezDesign+

Access to Google map, find project address



MapDrawer function, automatically generate layout

Cover full application scenario

Verified based on static analysis and Finite Element Analysis

Out put BoM, Calculation, Manual and etc.

Connect with Us

W: www.clenergy.com

E: sales@clenergy.com

Channels:

FB: facebook.com/ClenergyGlobal/

Lin: linkedin.com/company/Clenergy/

YT: youtube.com/c/Clenergy/

Inst: instagram.com/ClenergyClub/

Tw: twitter.com/Clenergy_Global

Learning Group:

facebook.com/groups/ClenergyClub



THANK YOU!

CLENERGY 

