

PV STRING INVERTER

HSNV60 – 75K

-G01



FEATURES



Efficient

- 4 MPPTs with Max. efficiency of 98.50%
- 110% AC overloading
- Up to 20 A of MPPT current input to support 210 mm & bifacial PV modules



User Friendly

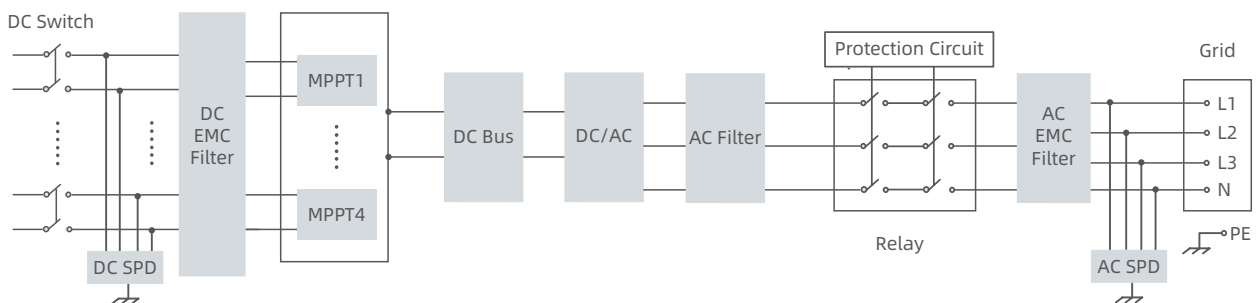
- Built-in zero export function interface
- Supports country grid code preset
- 24/7 monitoring & remote firmware upgrade
- Near-end commissioning via APP



Reliable

- High precisely & intelligent string detection
- Built-in SPD for surge protection & AFCI function
- Wide MPPT voltage range for unstable grid
- Built-in PID recovery module (optional)

TOPOLOGICAL GRAPH



PARAMETERS

Model	HSNV60K-G01	HSNV70K-G01	HSNV75K-G01
DC Input			
Max. Input Voltage	1100 V		
Starting Voltage	180 V		
MPPT Voltage Range	200 – 1000 V		
Max. Input Current Per MPPT	45 A / 45 A / 45 A / 45 A		
Max. Short-circuit Current	60 A / 60 A / 60 A / 60 A		
Number of DC Inputs	3 / 3 / 3 / 3		4 / 3 / 3 / 4
Number of MPP Trackers	4		
AC Output			
Rated Output Power	60 kW	70 kW	75 kW
Max. Output Power	66 kW	77 kW	82.5 kW
Rated Output Voltage	230 V / 400 V (3P + N + PE)		
Operating Voltage Range	300 – 520 V		
Rated Output Current	86.6 A	101.0 A	108.3 A
Max. Output Current	95.3 A	111.1 A	119.1 A
Rated Grid Frequency	50 Hz / 60 Hz		
Power Factor	>0.99 (0.8 leading – 0.8 lagging)		
Harmonic (THDi)	<3% (at rated power)		
Efficiency			
Max. Efficiency	98.50%		
European Efficiency	98.20%		
Protection			
PV Reverse Polarity Protection	Yes		
Insulation Impedance Detection	Yes		
Residual Leakage Current Detection	Yes		
Output Overcurrent Protection	Yes		
Anti-Islanding Protection	Yes		
DC Surge Protection	Type II		
AC Surge Protection	Type II		
I/V Curve Scanning	Yes		
Zero Export Function	Yes		
PV String Monitoring	Yes		
Arc Fault Circuit Interrupter (AFCI)	Yes		
PID Recovery	Optional		
DC Switch	Yes		
General Parameters			
Dimensions (W × H × D)	705 × 650 × 285 mm		
Weight	≤80 kg		
Ingress Protection	IP65		
Operating Temperature Range	-40 – +60 °C		
Cooling System	Smart air cooling		
Topology	Transformerless		
Operating Altitude	4000 m (>3000 m derating)		
Display	LED, WLAN + APP		
Communication	RS485 / Wi-Fi		
DC Connection Type	MC4		
AC Connection Type	OT / DT terminal		
Standard Compliance (More Available Upon Request)			
Certification	IEC 62109, IEC 61000, IEC 61727, IEC 62116, IEC 60068, IEC 61683, IEC 61683, EN 50549-1, EN 50549-2, VDE 4105, VDE 4110, VDE 4120		